

INSTALLATION INSTRUCTIONS FOR INSTALLING A SANITARY LIFT COVER INSTALLATION KIT IN A NATIONAL VENDORS®, MODULINE, SERIES 21CE ELECTRIC CANDY MERCHANDISER

These instructions cover the procedure for installing a Sanitary Lift Cover Installation Kit in a Moduline, Series 21CE Electric Cigarette Merchandiser.

Read these instructions carefully and thoroughly before installing the Kit. Retain these instructions for part number and installation information.

Kit, Part Number 121-0414, contains the following parts:

Part Number	Description	Quantity
121-0415	Rodent Shield Lower Trim	1
121-0416	Rodent Shield	1
112-2116	Rodent Shield Hanger	2
222-2110	Trim "T" Bolt	2
9900-081	No.8-32 Nut W/LW	2
121-0423	Installation Instructions	1
	* * *	

2. Unlock and open the Cabinet Door.
3. Unlatch and swing out the Coin Mechanism. See Figure 1.
4. Remove the Screw and Nut attaching the Coin Chute and remove the Coin Chute from the Cabinet Door. See Figure 1.
5. Cut the Wire Tie attaching the Cabinet Harness to the Rodent Shield Lower Trim. See Figure 1.
6. Remove the four Screws attaching the Rodent Shield Lower Trim and remove the Rodent Shield Lower Trim from the Cabinet Door. See Figure 1.

TO INSTALL THE KIT

A. PARTS REMOVAL

1. Disconnect the Merchandisers' electrical Service Cord from the wall receptacle.

B. INSTALLATION OF THE KIT

1. Fit the replacement Rodent Shield Lower Trim, Part Number 121-0415, included in the Kit, in place on the inside of the Cabinet Door and attach with the four Screws removed in Step A-6.

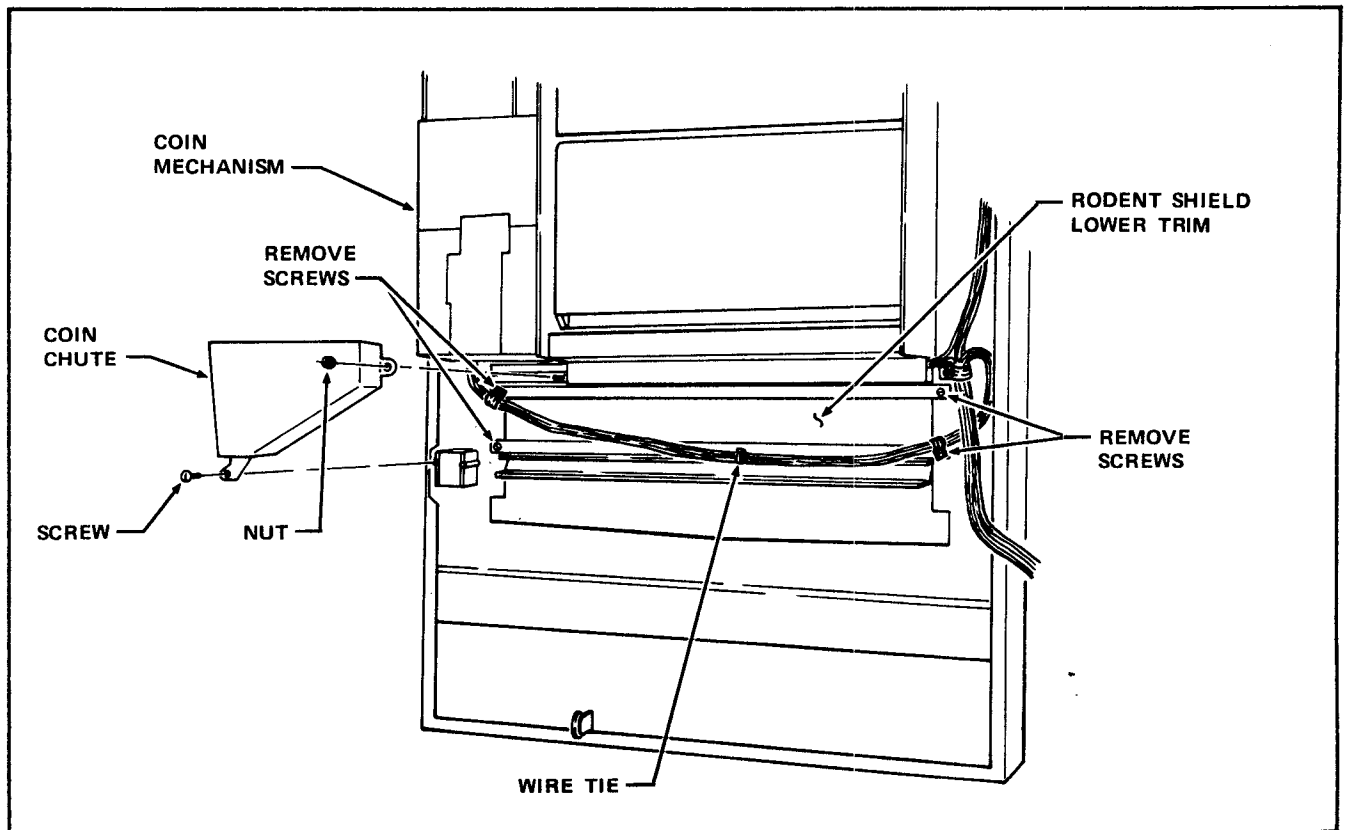


FIGURE 1

Printed in U.S.A.

2. Install the two Rodent Shield Hangers, Part Number 112-2116, on the Rodent Shield, Part Number 121-0416, both parts included in the Kit. The flat side of the Rodent Shield Hanger fits toward the bottom of the Rodent Shield. See Figure 2.
3. Attach the Rodent Shield to the Rodent Shield Lower Trim by using two Trim "T" Bolts, Part Number 222-2110, included in the Kit, and two No.8-32 Nuts with Lockwashers, Part Number 9900-081, included in the Kit, as shown in Figure 2.
4. Attach the Coin Chute to the Cabinet Door by using the Screw and Nut removed in Step A-4. See Figure 1.
5. Swing the Coin Mechanism back to its original position and lock in place.
6. Close and lock the Cabinet Door.
7. Connect the Merchandisers' electrical Service Cord to a properly polarized wall receptacle.

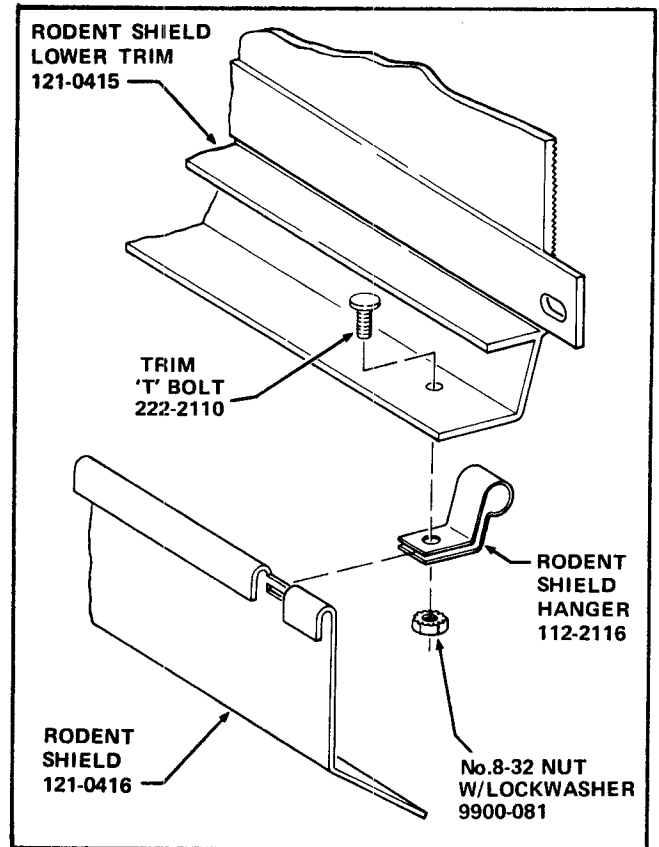


FIGURE 2